

STMod+ fan-out expansion board for STM32 Discovery kits and Evaluation boards

Introduction

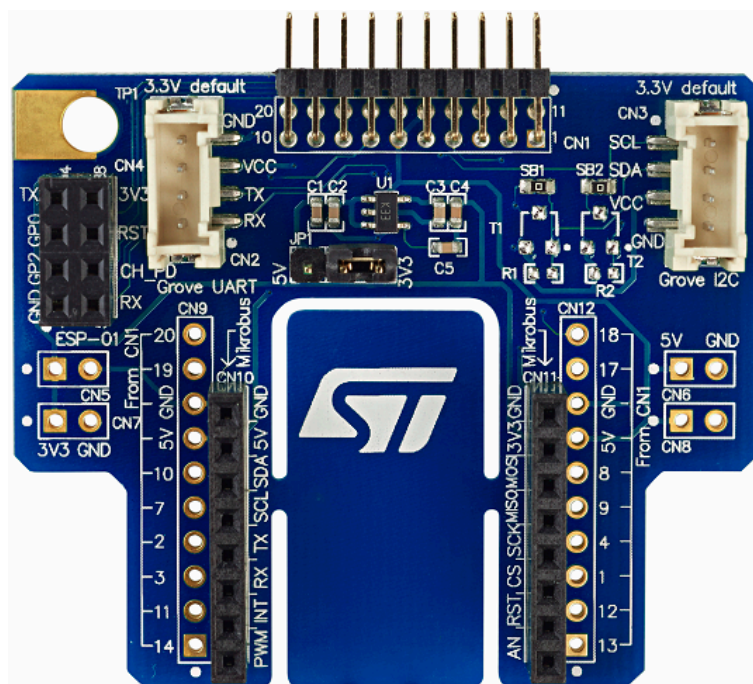
The STMod+ fan-out expansion board provides extension connectors for the direct use of popular third-party modules from different manufacturers. It can be used with the STM32 Discovery boards or Evaluation boards featuring an STMod+ connector to increase the demonstration scopes of their STM32 microcontrollers.

This board is also referred to as the Fanout board or MB1280 in STMicroelectronics related technical literature.

The STMod+ fan-out expansion board features:

- mikroBUS™ compatible connectors
- ESP-01 compatible connector
- Seeed Studio™ Grove compatible connectors
- Reserved standard 2.54 mm pitch pin header for breadboard
- 5 V power
- 3.3 V regulator
- I²C level shifters (footprint only)

Figure 1. Fan-out board (MB1280) top view



Picture is not contractual.

The board is delivered as part of the products listed in [Table 1](#).

Table 1. Products featuring the fan-out board (MB1280)

Type	Products
STM32 Discovery kits	32F723EDISCOVERY, 32L496GDISCOVERY, 32L4R9IDISCOVERY, STM32F7308-DK, STM32H745I-DISCO, STM32H747I-DISCO, STM32H750B-DK, STM32H7B3I-DK, STM32L562E-DK.

1 Hardware layout and configuration

The design of the MB1280 fan-out board is based on the STMicroelectronics STMod+ connector. Refer to technical note *STMod+ interface specification (TN1238)* for details.

Figure 2 illustrates how the fan-out board extends the Discovery boards and Evaluation boards connections to other modules. Figure 3 helps to locate the various connectors on the fan-out board.

Figure 2. Fan-out board hardware block diagram

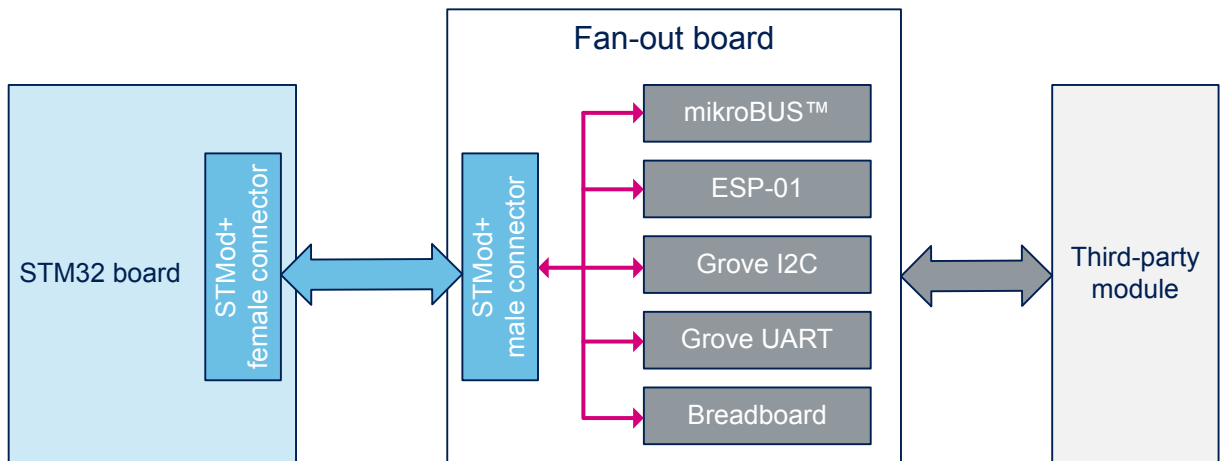


Figure 3. Fan-out board layout

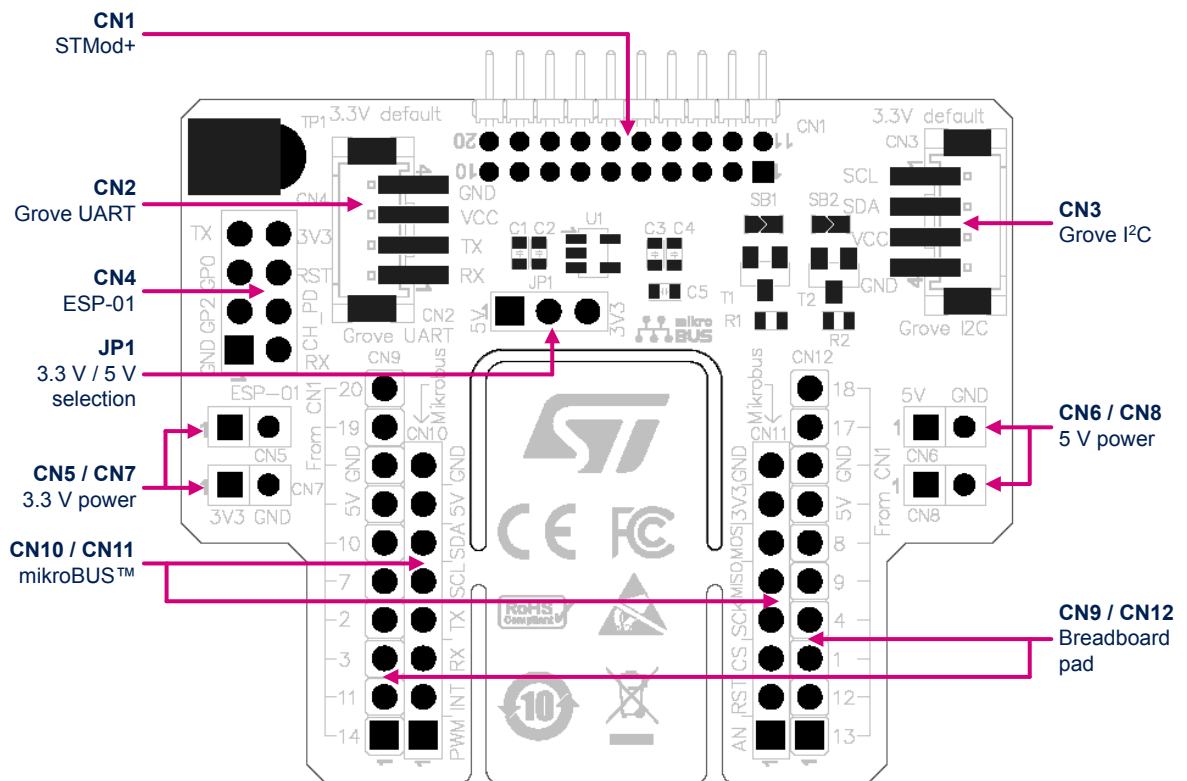
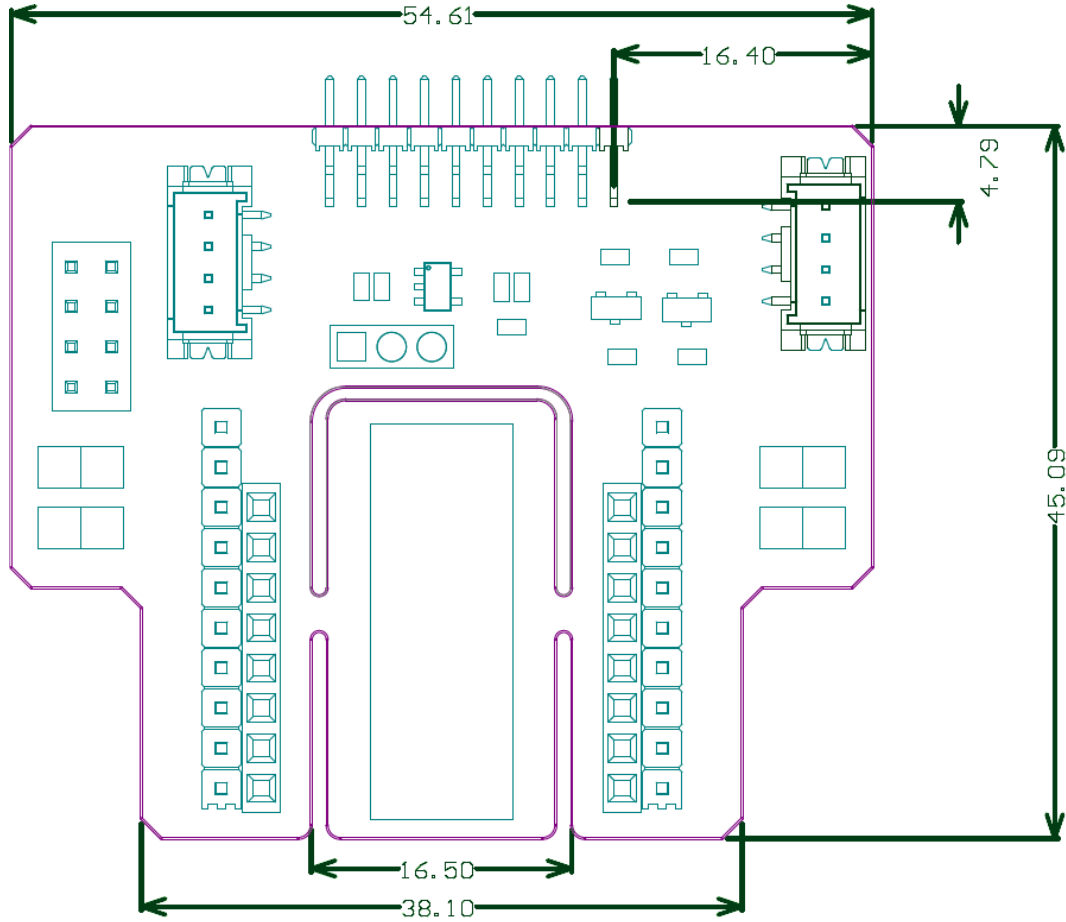


Figure 4 provides the mechanical dimensions of the MB1280 fan-out board.

Figure 4. Fan-out board mechanical dimensions in millimeters (top view)



2 Connectors

2.1 STMod+ male connector CN1

The standard 20-pin STMod+ male connector is available on the fan-out board for connection to the STMod+ female connector on the STM32 board featuring an STM32 microcontroller based on the Arm® Cortex®-M processor. Table 2 shows the definition of the pins.

Table 2. Description of the STMod+ connector pins

STMod+ connector	Pin number	Pin number	STMod+ connector
STMod+#1-NSS/CTS	1	11	STMod+#11-INT
STMod+#2-MOSIp/TX	2	12	STMod+#12-RST
STMod+#3-MISOp/ RX	3	13	STMod+#13-ADC
STMod+#4-SCK/RTS	4	14	STMod+#14-PWM
GND	5	15	5 V
5 V	6	16	GND
STMod+#7-SCL	7	17	STMod+#17
STMod+#8-MOSIs	8	18	STMod+#18
STMod+#9-MISOs	9	19	STMod+#19
STMod+#10-SDA	10	20	STMod+#20

Note: Arm is a registered trademark of Arm Limited (or its subsidiaries) in the US and/or elsewhere.

2.2 Compatible connectors for the Grove boards

Both Grove board connectors described in this section are 2.54 mm pitch 1×4-pin male connectors. Their Seeed Studio™ part number is A2006LF-04A.

2.2.1 Compatible connector for UART Grove boards CN2

The CN2 connector is compatible with Grove-NFC boards using cable connection. Table 3 shows the definition of the pins.

Table 3. Description of the UART Grove connector pins

STMod+ connector	CN2 Grove function	Pin number
STMod+#3-RX	RX (Grove TX)	1
STMod+#2-TX	TX (Grove RX)	2
-	VCC	3
-	GND	4

2.2.2 Compatible connector for I²C Grove boards CN3

The CN3 connector is compatible with Grove-Barometer sensor (BMP180) or Grove-LCD RGB backlight boards using cable connection. Table 4 shows the definition of the pins.

Table 4. Description of the I²C Grove connector pins

STMod+ connector	CN3 Grove function	Pin number
STMod+#7-SCL ⁽¹⁾	SCL	1
STMod+#10-SDA ⁽¹⁾	SDA	2
-	VCC	3
-	GND	4

1. The following limitations apply:

- For fan-out board versions MB1280A and MB1280B, the Grove connector does not support the 5 V I²C interface.
- The fan-out board version MB1280C can support the 5 V I²C interface for the Grove connector, but users must solder the MOSFETs and related matched resistors by themselves.

2.3 ESP-01 Wi-Fi® board compatible connector CN4

The ESP-01 Wi-Fi® board connector is composed of 2×4-pin female connectors with a 2.54 mm pitch. Table 5 shows the definition of the pins.

Table 5. Description of the ESP-01 Wi-Fi® board connector pins

STMod+ connector CN11	ESP-01 function	Pin number	Pin number	ESP-01 function	STMod+ connector CN10
-	GND	1	2	RXD (ESP-01 TXD)	STMod+#3-RX
STMod+#14	GPIO2	3	4	CH_PD	STMod+#13
STMod+#11	GPIO0	5	6	RST	STMod+#12-RST
STMod+#2-TX	TXD (ESP-01 RXD)	7	8	3V3	-

2.4 Breadboard connectors CN9 and CN12

Both breadboard connectors are 2.54 mm pitch 1×10-pin connectors. Only the footprint pad is available on the fan-out board for user development. [Table 6](#) shows the definition of the pins.

Table 6. Description of the breadboard connector pins

Breadboard connector CN12	Pin number	Pin number	Breadboard connector CN9
STMod+#13-ADC	1	1	STMod+#14-PWM
STMod+#12-RST	2	2	STMod+#11-INT
STMod+#1-NSS/CTS	3	3	STMod+#3-MISOp/RX
STMod+#4-SCK/RTS	4	4	STMod+#2-MOSIp/TX
STMod+#9-MISOs	5	5	STMod+#7-SCL
STMod+#8-MOSIs	6	6	STMod+#10-SDA
5 V	7	7	5 V
GND	8	8	GND
STMod+#17	9	9	STMod+#19
STMod+#18	10	10	STMod+#20

2.5 mikroBUS™ compatible connectors CN10 and CN11

mikroBUS™ compatible connectors CN10 and CN11 are a pair of 1×8-pin female connectors with a 2.54 mm pitch. [Table 7](#) shows the definition of the pins.

Table 7. Description of the mikroBUS™ connector pins

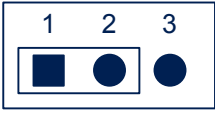
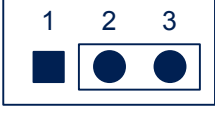
STMod+ connector CN11	mikroBUS™ function	Pin number	Pin number	mikroBUS™ function	STMod+ connector CN10
STMod+#13-ADC	AN	1	1	PWM	STMod+#14-PWM
STMod+#12-RST	RST	2	2	INT	STMod+#11-INT
STMod+#1-CS	CS	3	3	RX	STMod+#3-RX
STMod+#4-SCK	SCK	4	4	TX	STMod+#2-TX
STMod+#9-MISOs	MISO	5	5	SCL	STMod+#7-SCL
STMod+#8-MOSIs	MOSI	6	6	SDA	STMod+#10-SDA
-	+3.3 V	7	7	+5 V	-
-	GND	8	8	GND	-

The mikroBUS™ pinout assignment is available at the mikroe.com website.

2.6 Power selection jumper JP1

JP1 is a 3-pin jumper selector for 5 V or 3.3 V power switch. [Table 8](#) shows the definition of the power selection.

Table 8. Description of the power selection

JP1 position	VCC selection
	VCC is connected to 5 V.
	VCC is connected to 3.3 V.

Revision history

Table 9. Document revision history

Date	Version	Changes
20-Mar-2020	1	Initial release.

Contents

1	Hardware layout and configuration	2
2	Connectors	4
2.1	STMod+ male connector CN1	4
2.2	Compatible connectors for the Grove boards	4
2.2.1	Compatible connector for UART Grove boards CN2	4
2.2.2	Compatible connector for I ² C Grove boards CN3	5
2.3	ESP-01 Wi-Fi [®] board compatible connector CN4	5
2.4	Breadboard connectors CN9 and CN12	6
2.5	mikroBUS [™] compatible connectors CN10 and CN11	6
2.6	Power selection jumper JP1	7
	Revision history	8
	Contents	9
	List of tables	10
	List of figures	11

List of tables

Table 1.	Products featuring the fan-out board (MB1280)	1
Table 2.	Description of the STMod+ connector pins	4
Table 3.	Description of the UART Grove connector pins	4
Table 4.	Description of the I ² C Grove connector pins	5
Table 5.	Description of the ESP-01 Wi-Fi® board connector pins	5
Table 6.	Description of the breadboard connector pins	6
Table 7.	Description of the mikroBUS™ connector pins	6
Table 8.	Description of the power selection	7
Table 9.	Document revision history	8

List of figures

Figure 1.	Fan-out board (MB1280) top view	1
Figure 2.	Fan-out board hardware block diagram	2
Figure 3.	Fan-out board layout	2
Figure 4.	Fan-out board mechanical dimensions in millimeters (top view).	3

IMPORTANT NOTICE – PLEASE READ CAREFULLY

STMicroelectronics NV and its subsidiaries (“ST”) reserve the right to make changes, corrections, enhancements, modifications, and improvements to ST products and/or to this document at any time without notice. Purchasers should obtain the latest relevant information on ST products before placing orders. ST products are sold pursuant to ST’s terms and conditions of sale in place at the time of order acknowledgement.

Purchasers are solely responsible for the choice, selection, and use of ST products and ST assumes no liability for application assistance or the design of Purchasers’ products.

No license, express or implied, to any intellectual property right is granted by ST herein.

Resale of ST products with provisions different from the information set forth herein shall void any warranty granted by ST for such product.

ST and the ST logo are trademarks of ST. For additional information about ST trademarks, please refer to www.st.com/trademarks. All other product or service names are the property of their respective owners.

Information in this document supersedes and replaces information previously supplied in any prior versions of this document.

© 2020 STMicroelectronics – All rights reserved