

STM32H745I-Disco

MB1381

Table of contents

| |
|---------------------------------------|
| Sheet 1: Project overview (this page) |
| Sheet 2: TOP |
| Sheet 3: STM32 microcontroller IOs |
| Sheet 4: STM32 microcontroller Power |
| Sheet 5: Ethernet |
| Sheet 6: PoE |
| Sheet 7: USB OTG FS |
| Sheet 8: FDCAN |
| Sheet 9: SDRAM |
| Sheet 10: eMMC |
| Sheet 11: QSPI |
| Sheet 12: LCD4.3 |
| Sheet 13: Audio |
| Sheet 14: STMod+ |
| Sheet 15: TAG |
| Sheet 16: Arduino Connector |
| Sheet 17: ST-LINK/V3E-SWD Module |
| Sheet 18: ST-LINK/V3E Power |
| Sheet 19: HW Mechanical parts |

Top
TOP.SchDoc

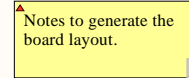


Legend

General comment such as function title, configuration, ...

Text to be added to silkscreen.

Warning text.



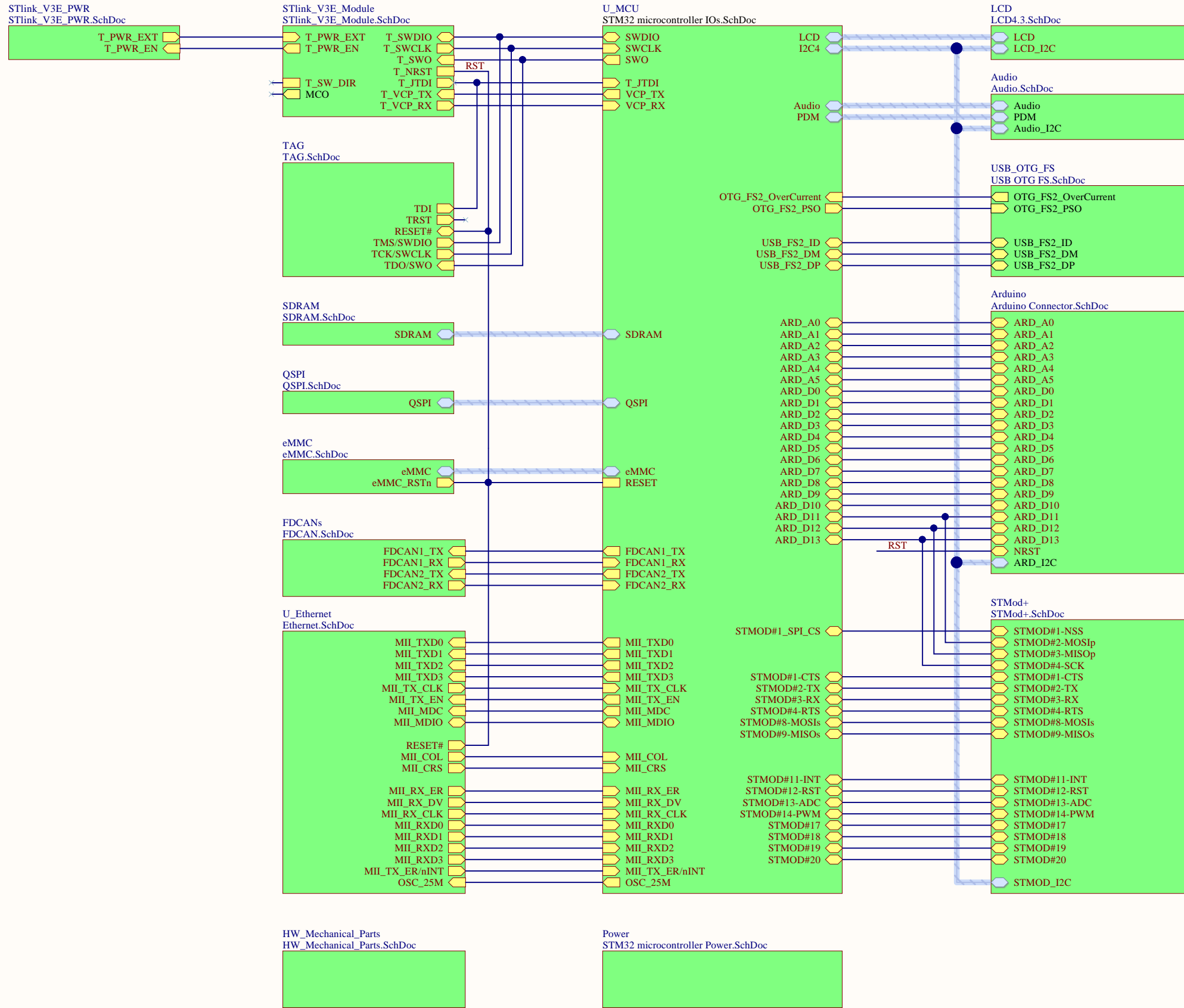
OPEN PLATFORM LICENSE AGREEMENT

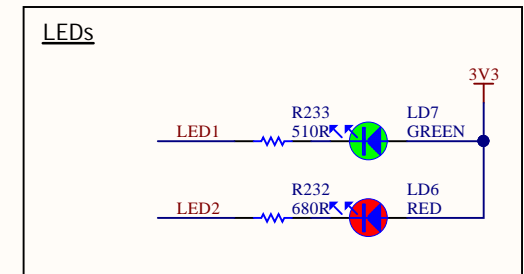
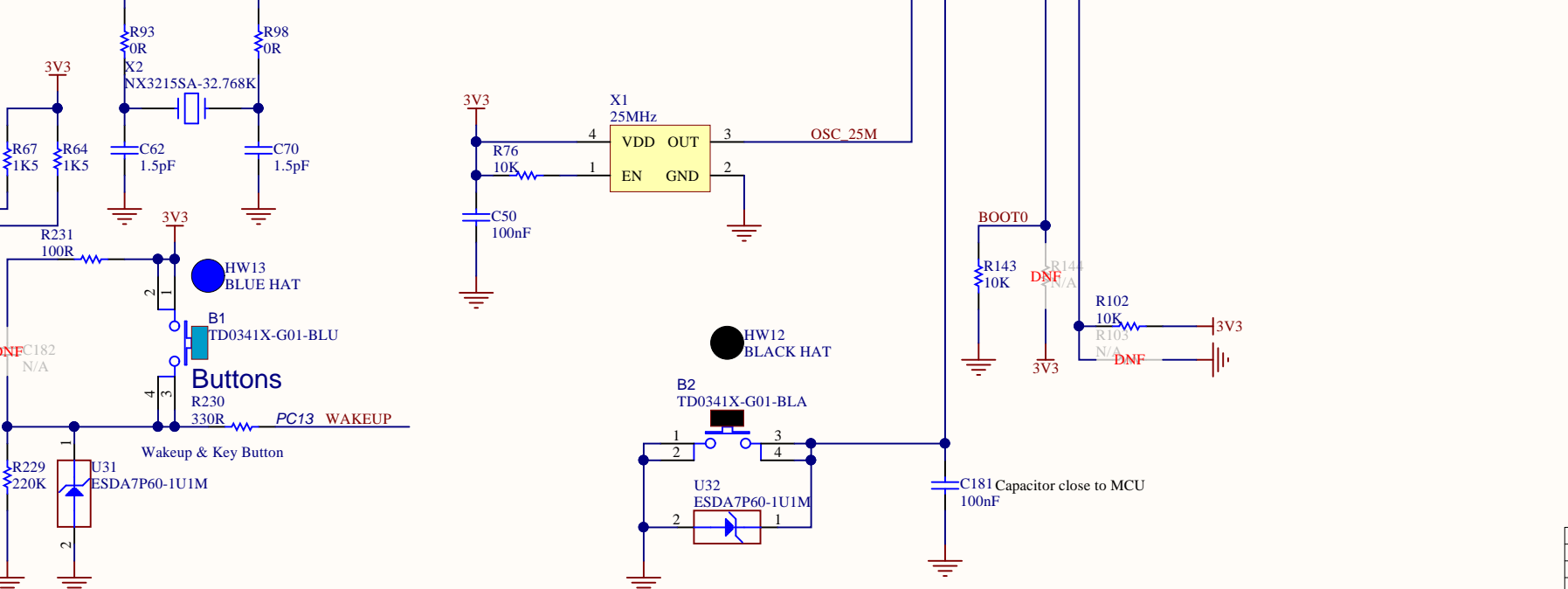
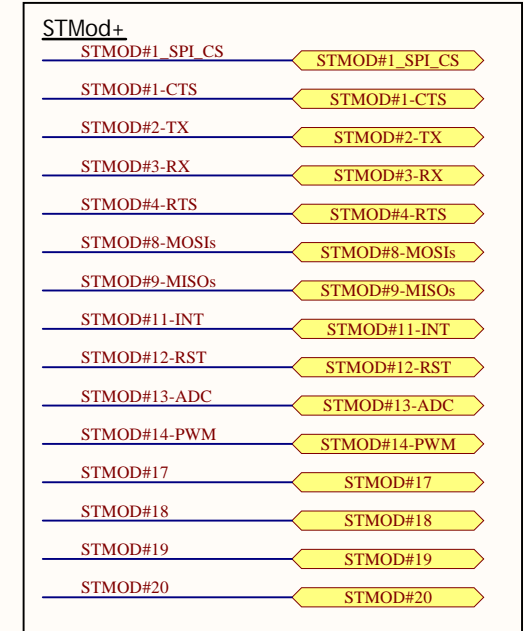
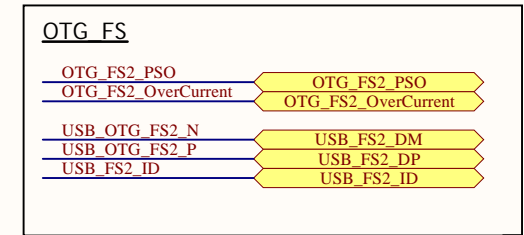
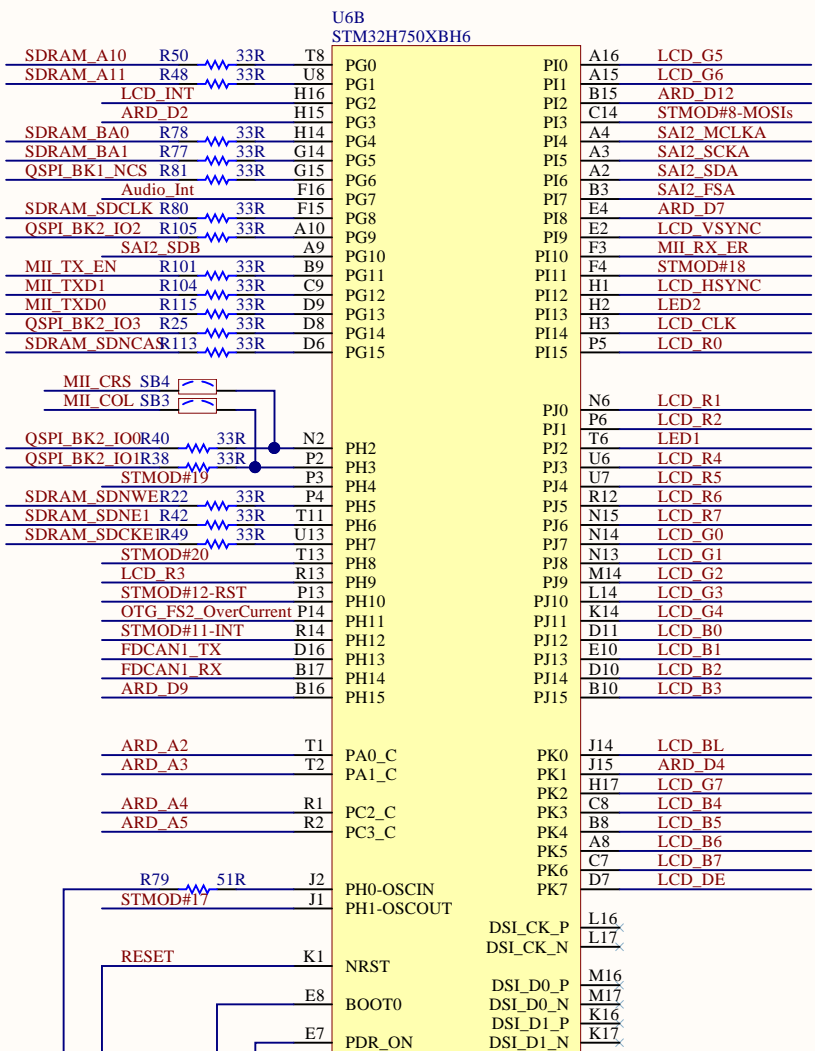
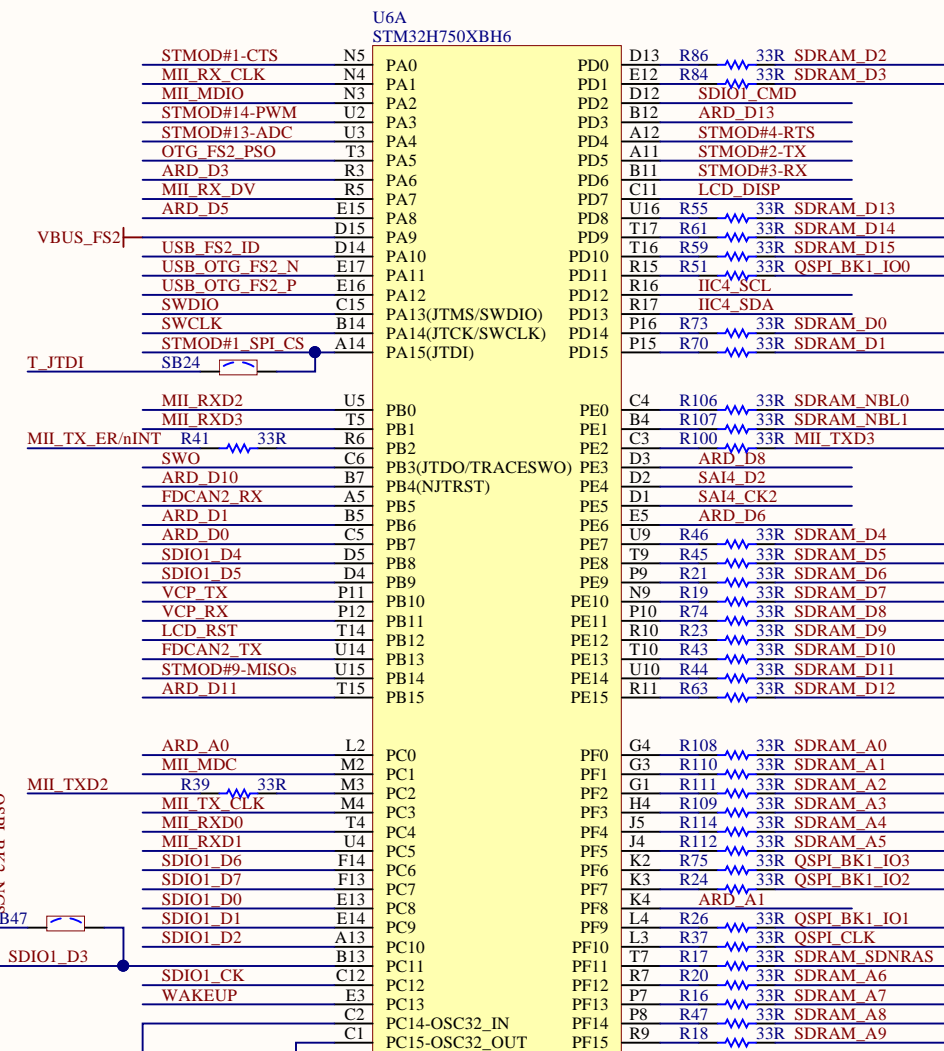
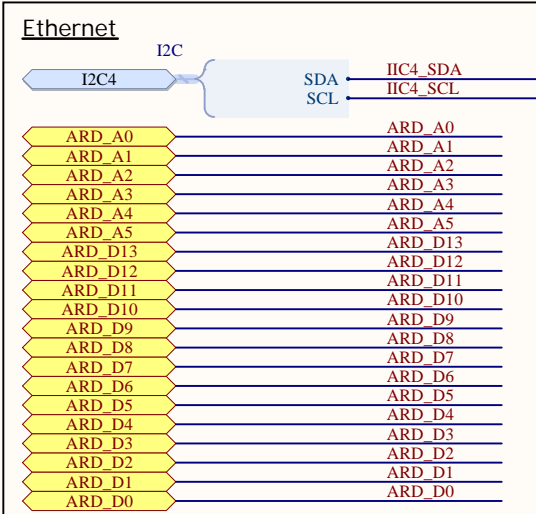
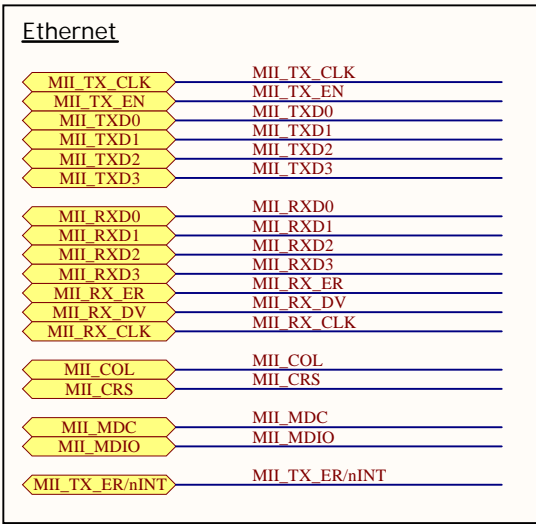
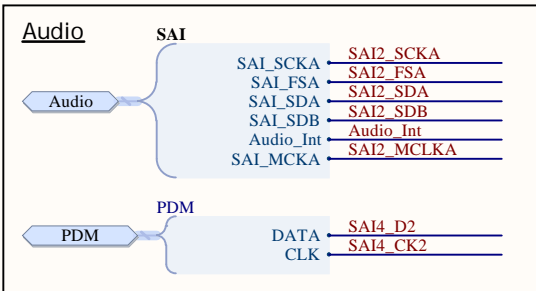
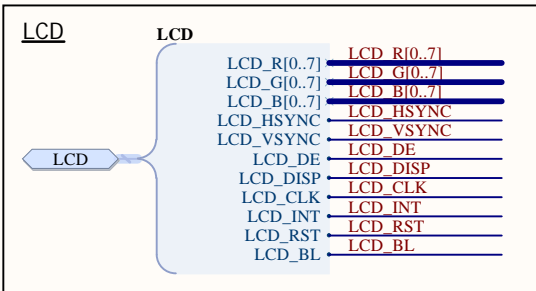
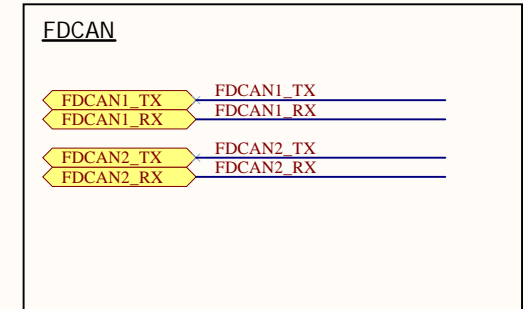
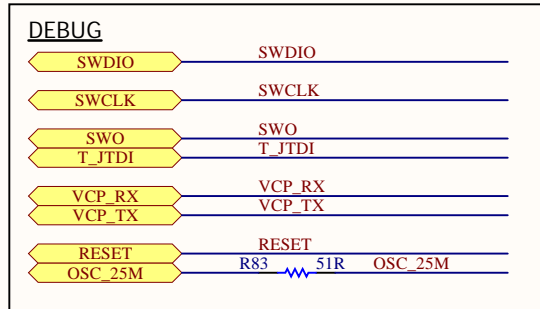
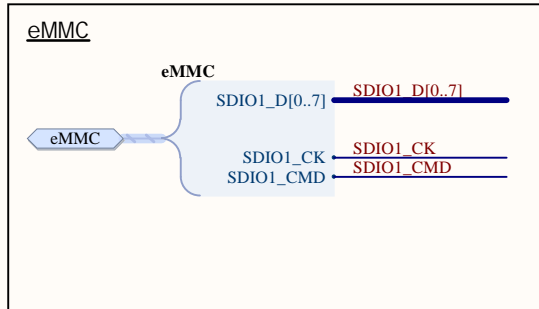
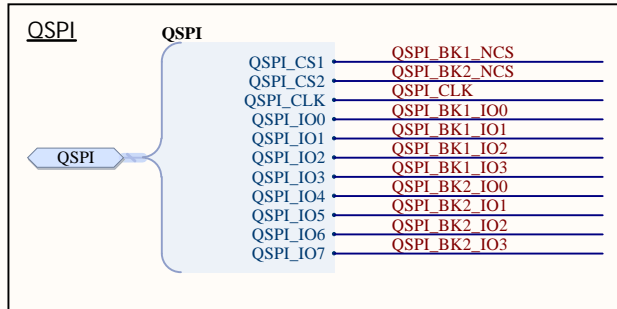
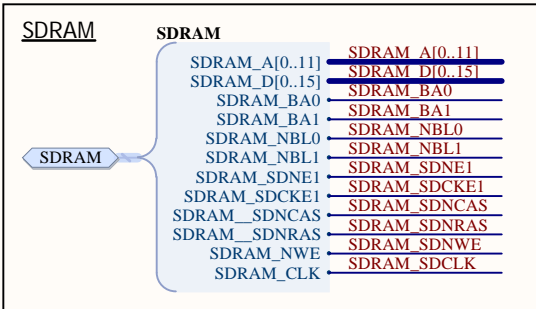
The Open Platform License Agreement (“Agreement”) is a binding legal contract between you (“You”) and STMicroelectronics International N.V. (“ST”), a company incorporated under the laws of the Netherlands acting for the purpose of this Agreement through its Swiss branch 39, Chemin du Champ des Filles, 1228 Plan-les-Ouates, Geneva, Switzerland.

By using the enclosed reference designs, schematics, PC board layouts, and documentation, in hardcopy or CAD tool file format (collectively, the “Reference Material”), You are agreeing to be bound by the terms and conditions of this Agreement. Do not use the Reference Material until You have read and agreed to this Agreement terms and conditions. The use of the Reference Material automatically implies the acceptance of the Agreement terms and conditions.

The complete Open Platform License Agreement can be found on www.st.com/opla.

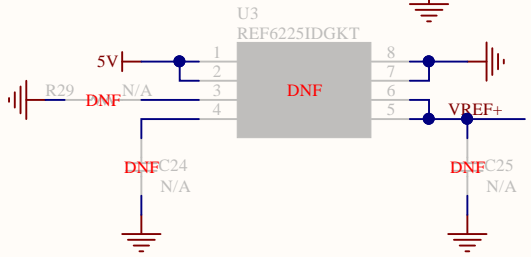
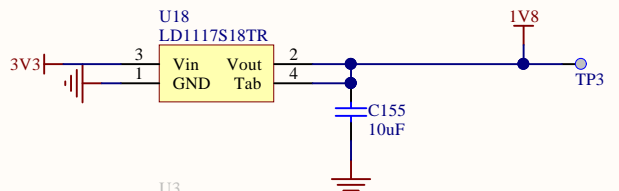
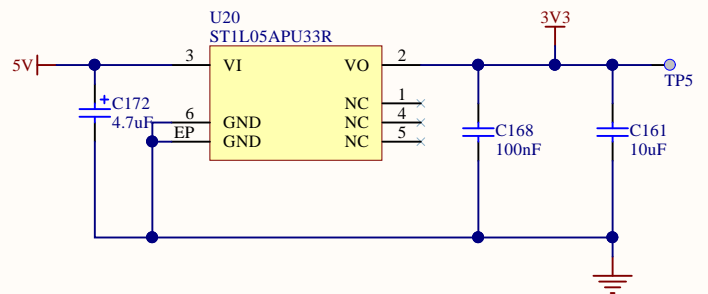
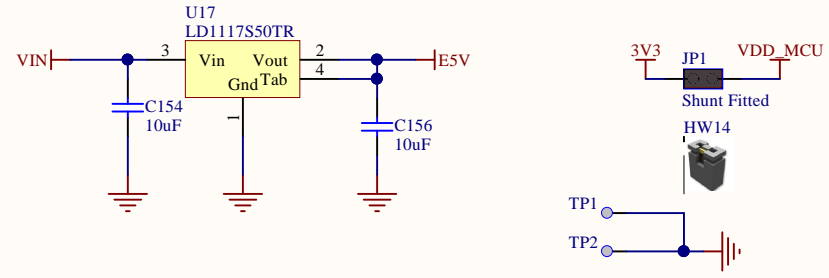
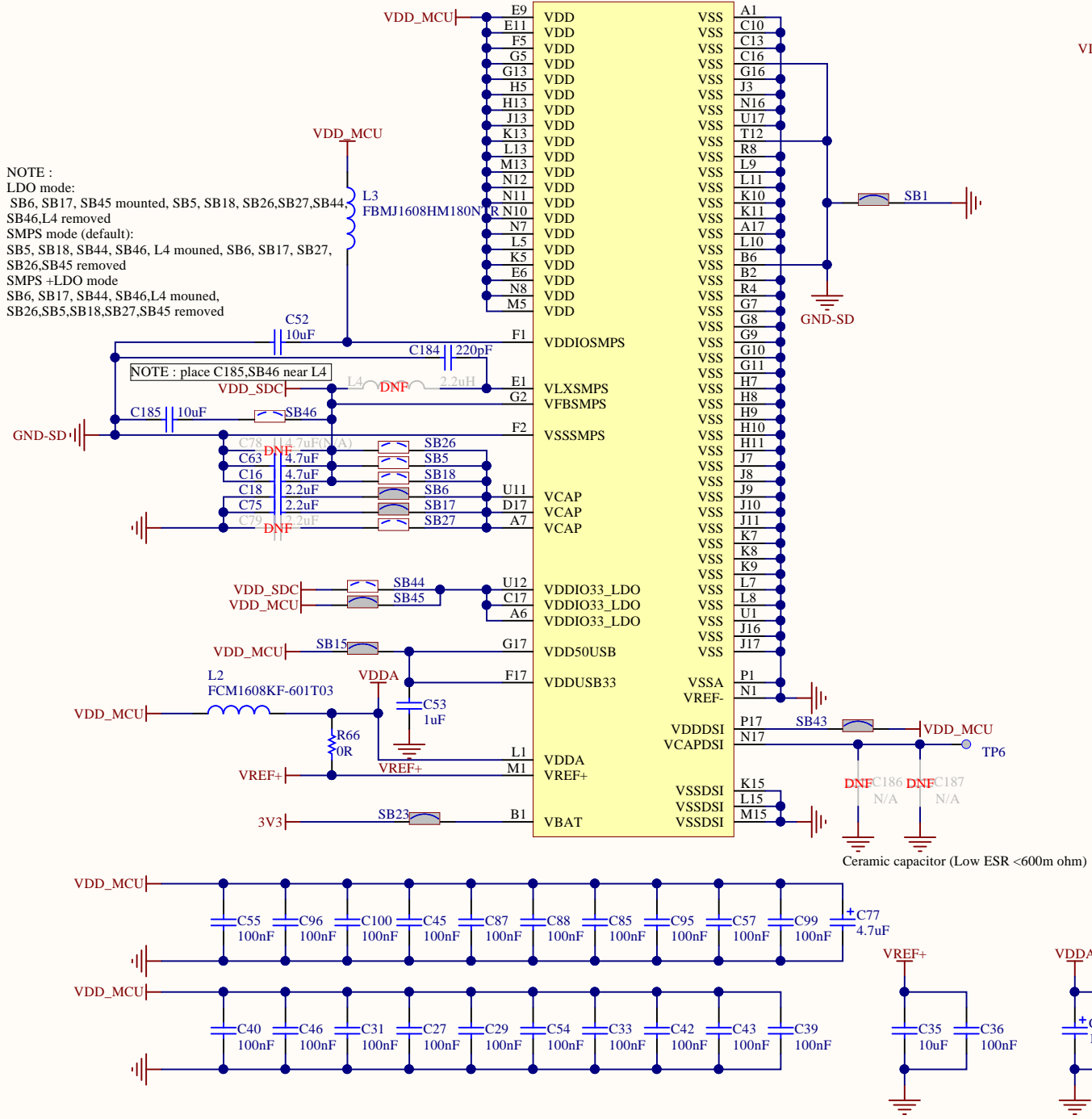
| | | |
|----------------------------------|-------------------------|------------------------------|
| Title: Project overview | | |
| Project: STM32H745I-Disco | | |
| Variant: H750XB | | |
| Revision: B-01 | | Reference: MB1381 |
| Size: A4 | Date: 11-JUNE-18 | Sheet: 1 of 19 |



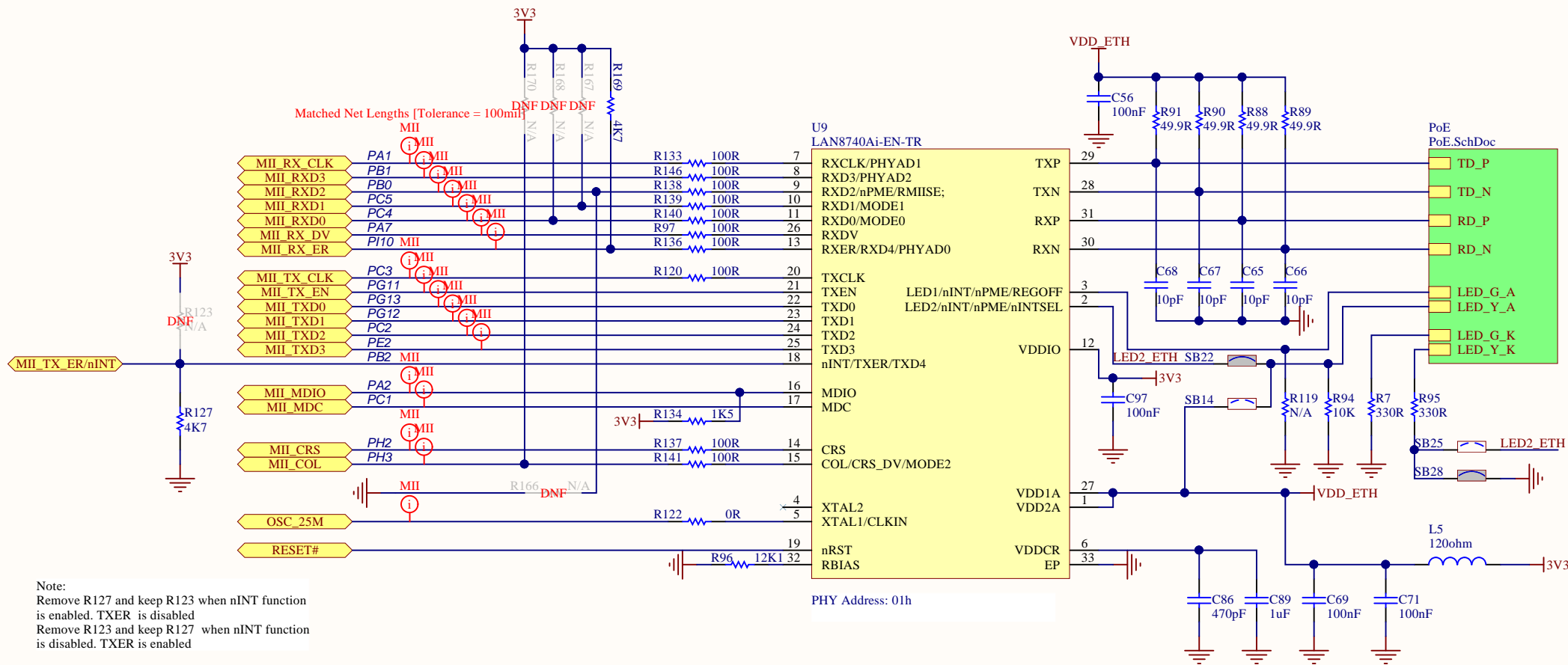


U6C
STM32H750XBH6

NOTE :
LDO mode:
SB6, SB17, SB45 mounted, SB5, SB18, SB26, SB27, SB44, SB46, L4 removed
SMPS mode (default):
SB5, SB18, SB44, SB46, L4 mouned, SB6, SB17, SB27, SB26, SB45 removed
SMPS +LDO mode
SB6, SB17, SB44, SB46, L4 mouned, SB26, SB5, SB18, SB27, SB45 removed

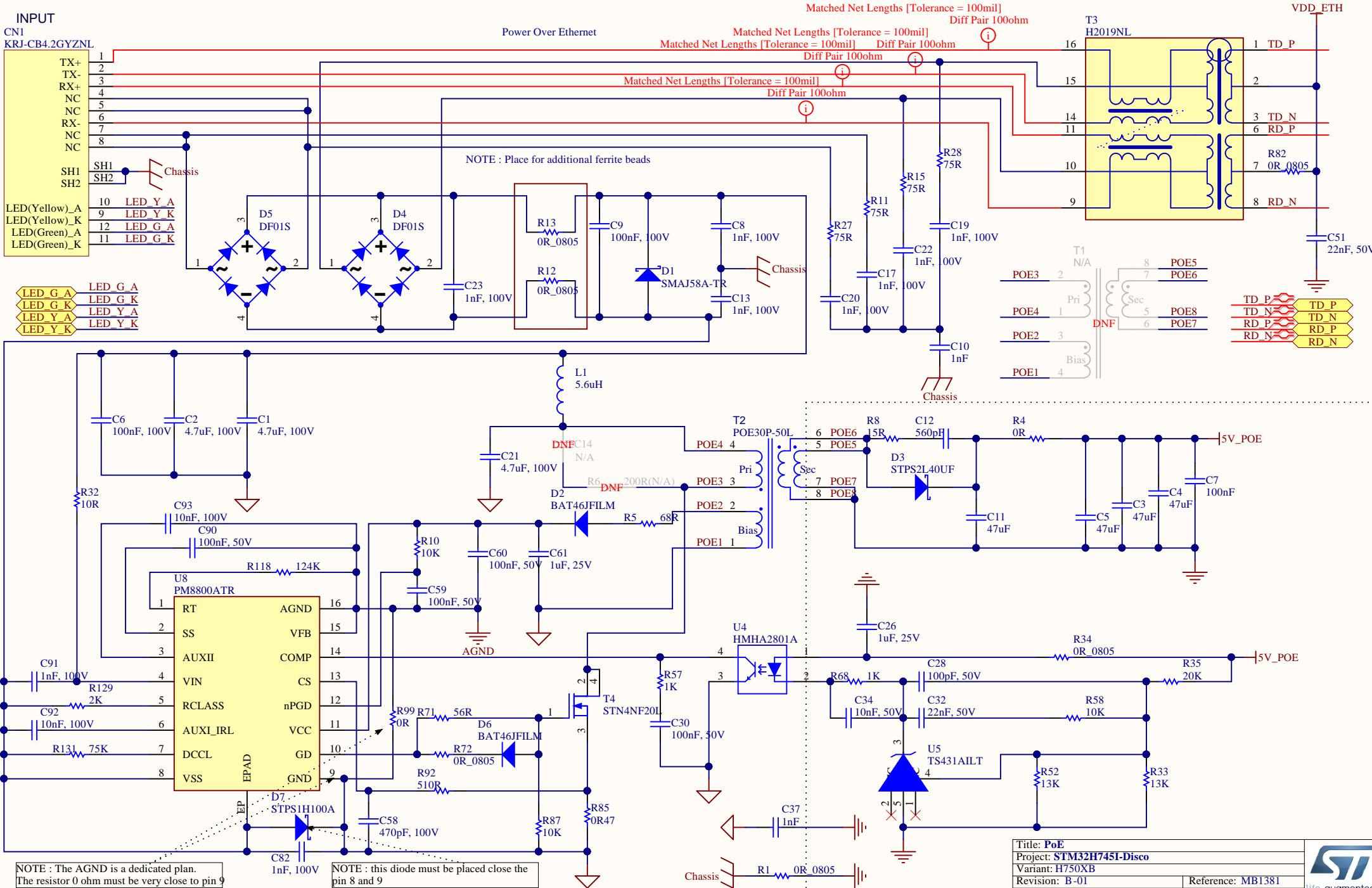


Ceramic capacitor (Low ESR <600m ohm)



Note:
 Remove R127 and keep R123 when nINT function is enabled. TXER is disabled
 Remove R123 and keep R127 when nINT function is disabled. TXER is enabled

Note:
 keep R94 to enable the TXER function, and close SB22,SB28,open SB14,SB25 for LED2
 Remove R94 and SB14 to enable nINT founction, and close SB14,SB25, open SB22,SB28 for LED2



INPUT
CN1
KRJ-CB4.2GYZNL

| | |
|---------------|------------|
| TX+ | 1 |
| TX- | 2 |
| RX+ | 3 |
| NC | 4 |
| NC | 5 |
| RX- | 6 |
| NC | 7 |
| NC | 8 |
| SH1 | SH1 |
| SH2 | SH2 |
| LED(Yellow)_A | 10 LED_Y_A |
| LED(Yellow)_K | 9 LED_Y_K |
| LED(Green)_A | 12 LED_G_A |
| LED(Green)_K | 11 LED_G_K |

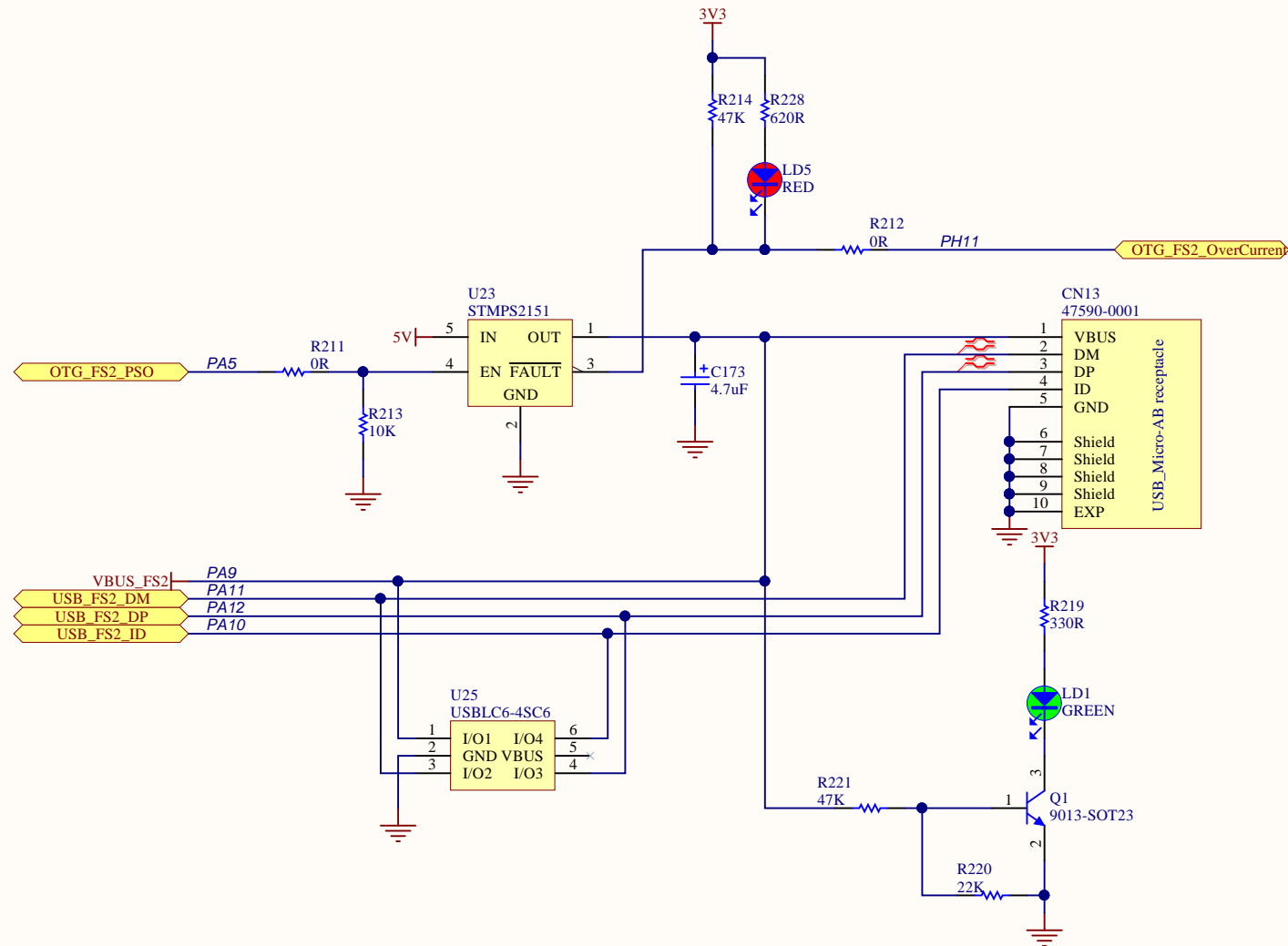
| | |
|---------|---------|
| LED_G_A | LED_G_A |
| LED_G_K | LED_G_K |
| LED_Y_A | LED_Y_A |
| LED_Y_K | LED_Y_K |

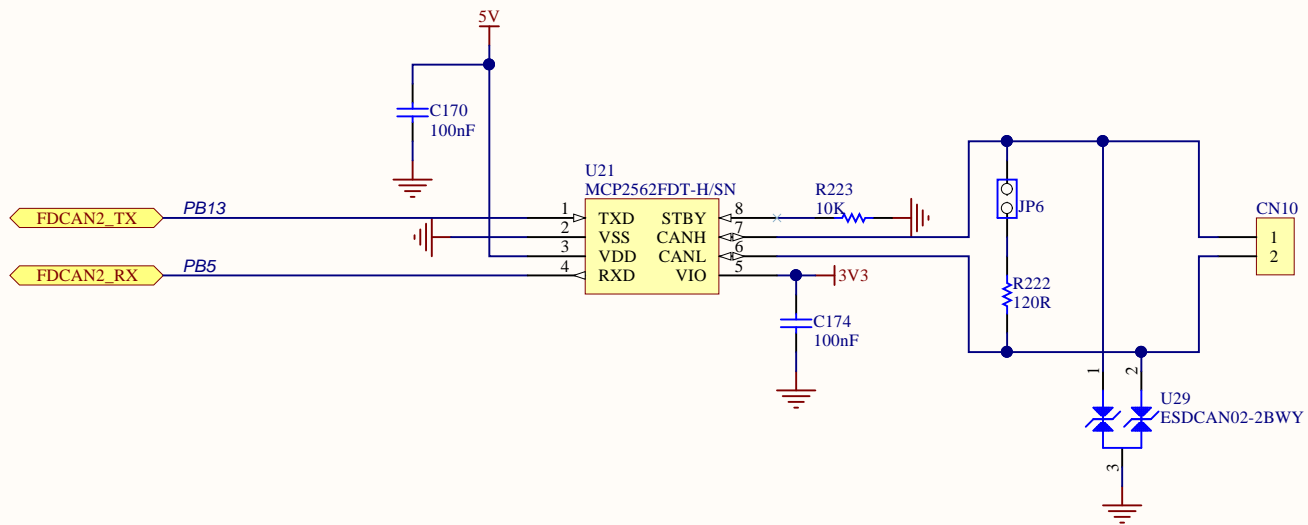
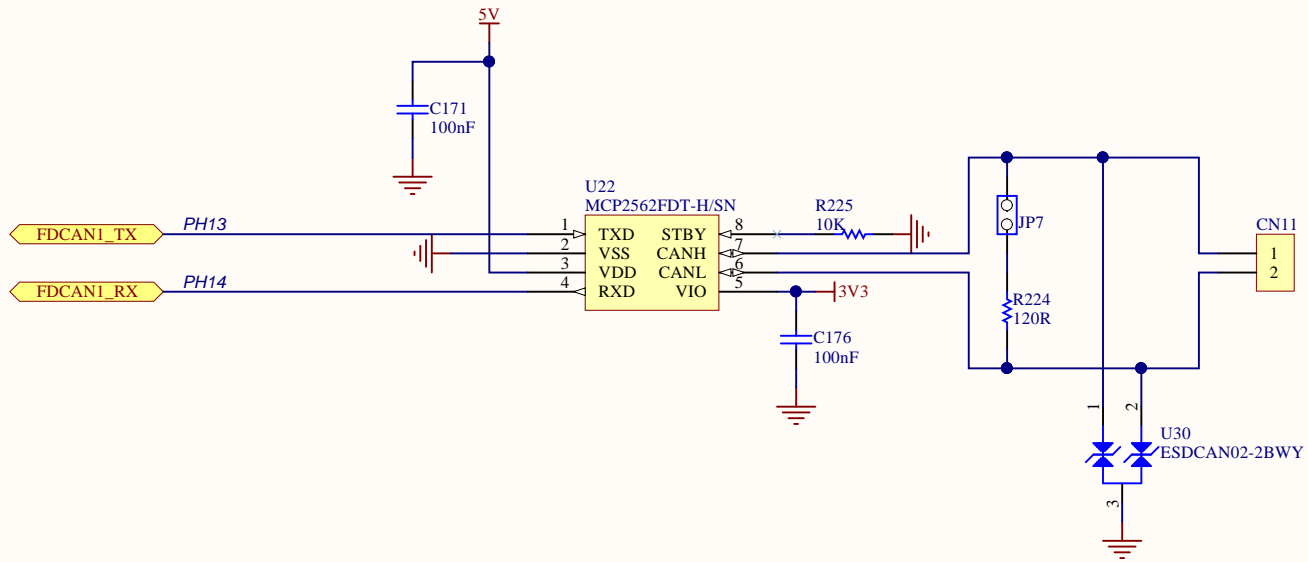
NOTE : The AGND is a dedicated plan.
The resistor 0 ohm must be very close to pin 9

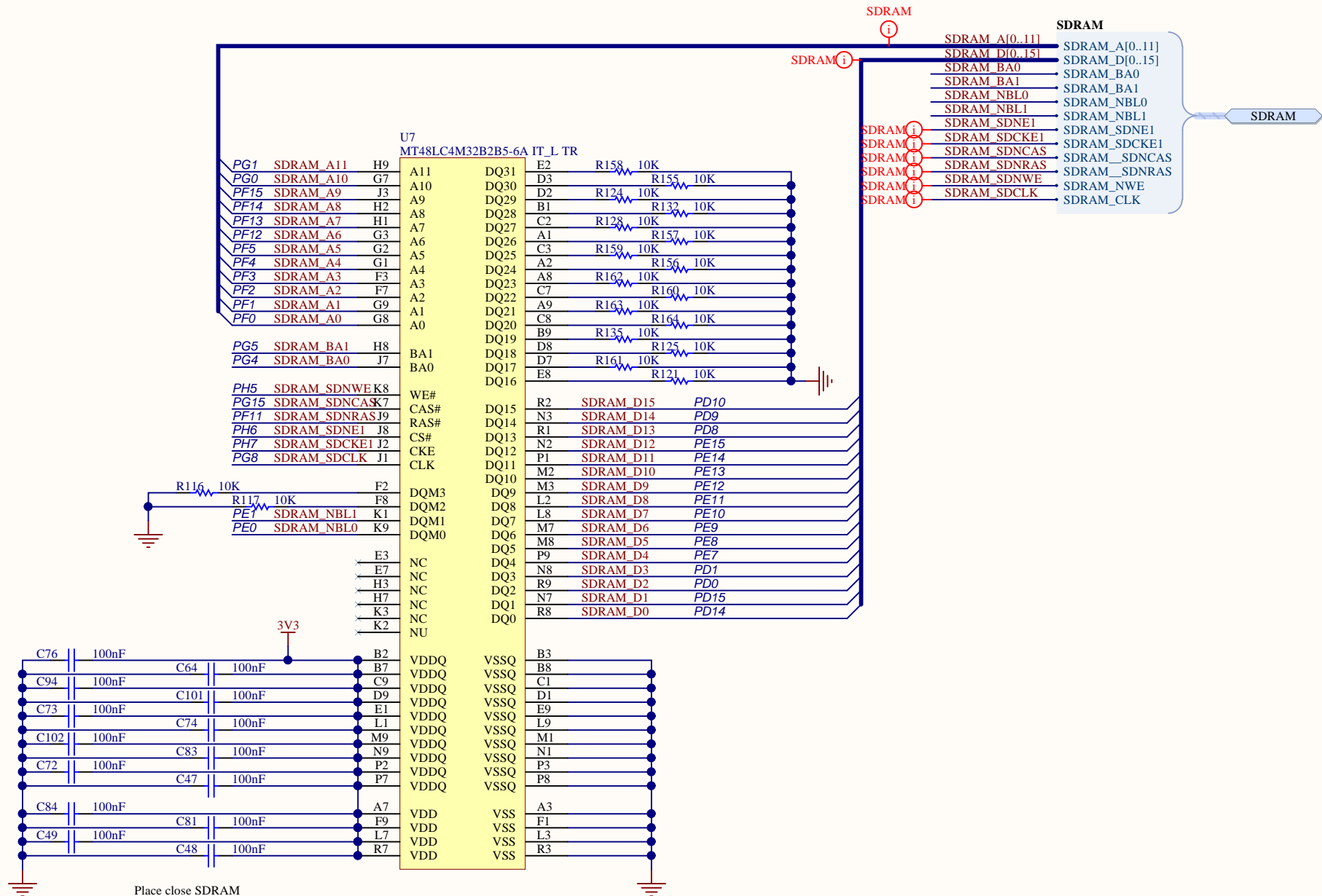
NOTE : this diode must be placed close the
pin 8 and 9

| | |
|---------------------------|-------------------|
| Title: PoE | |
| Project: STM32H745I-Disco | |
| Variant: H750XB | |
| Revision: B-01 | |
| Size: A4 | Reference: MB1381 |
| Date: 11-JUNE-18 | Sheet: 6 of 19 |



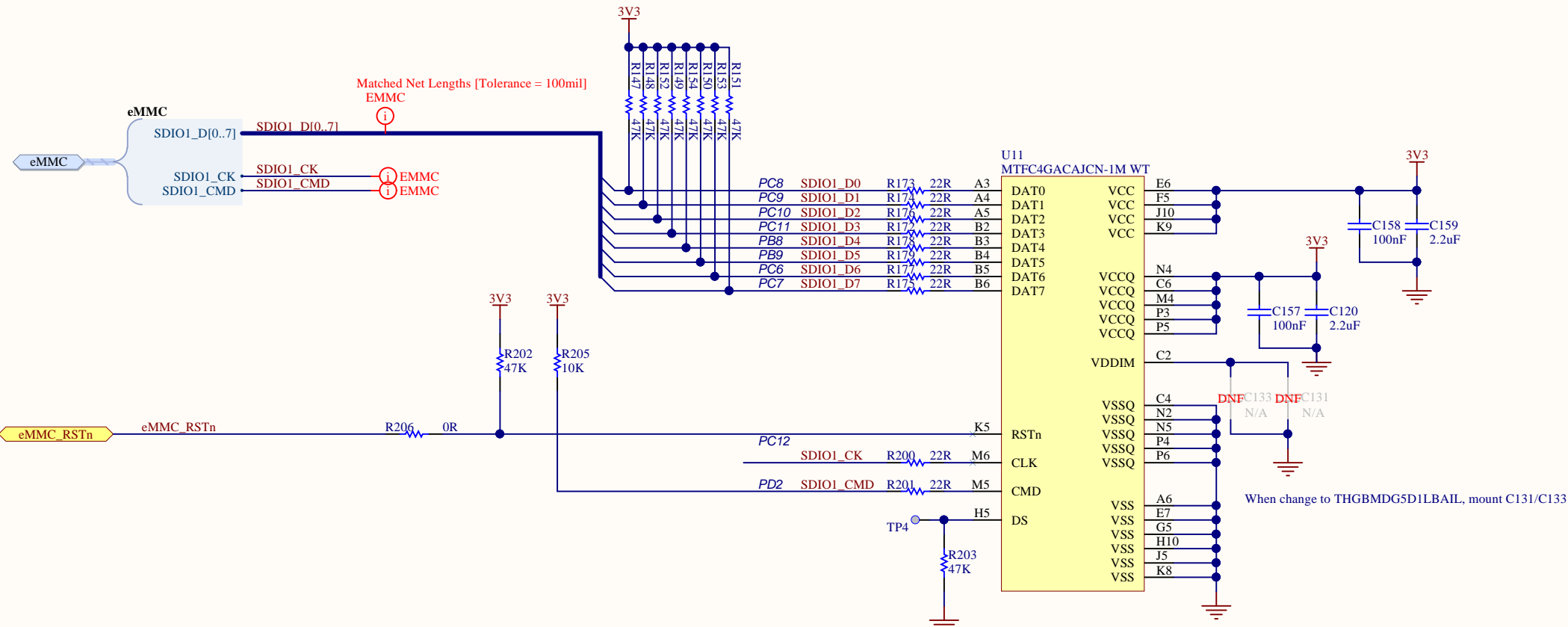




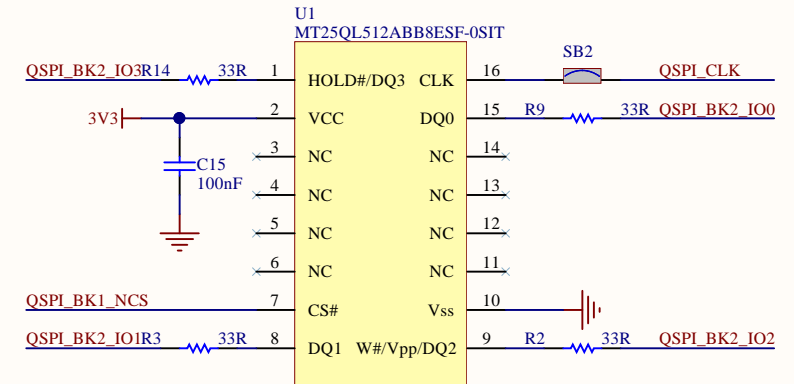
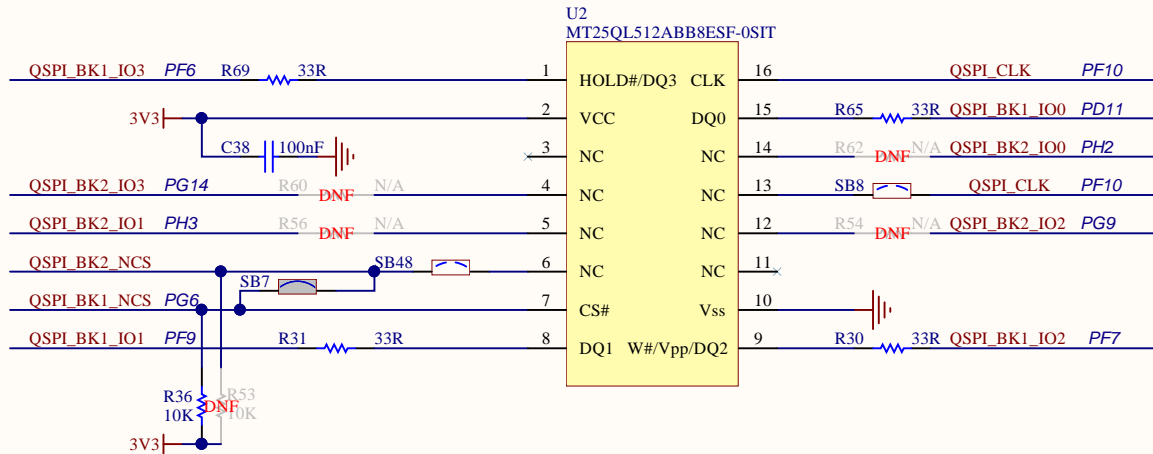
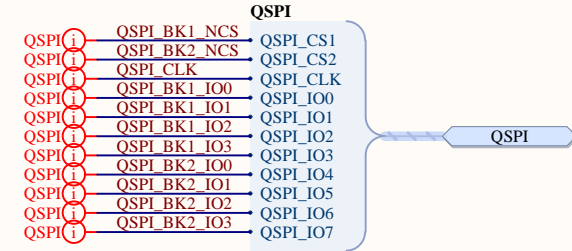


Place close SDRAM



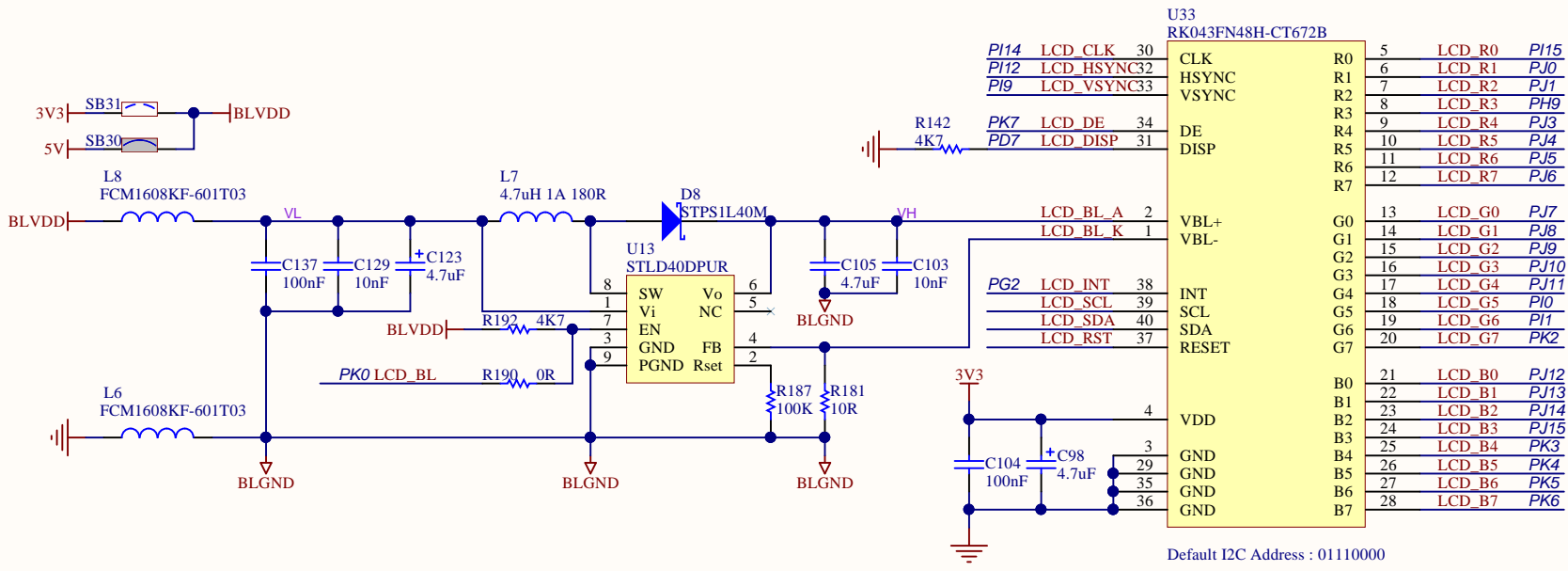
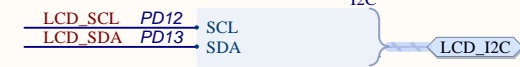
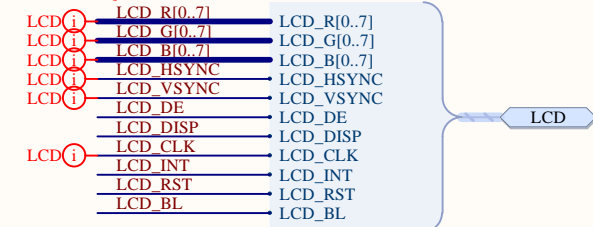


Matched Net Lengths [Tolerance = 100mil]



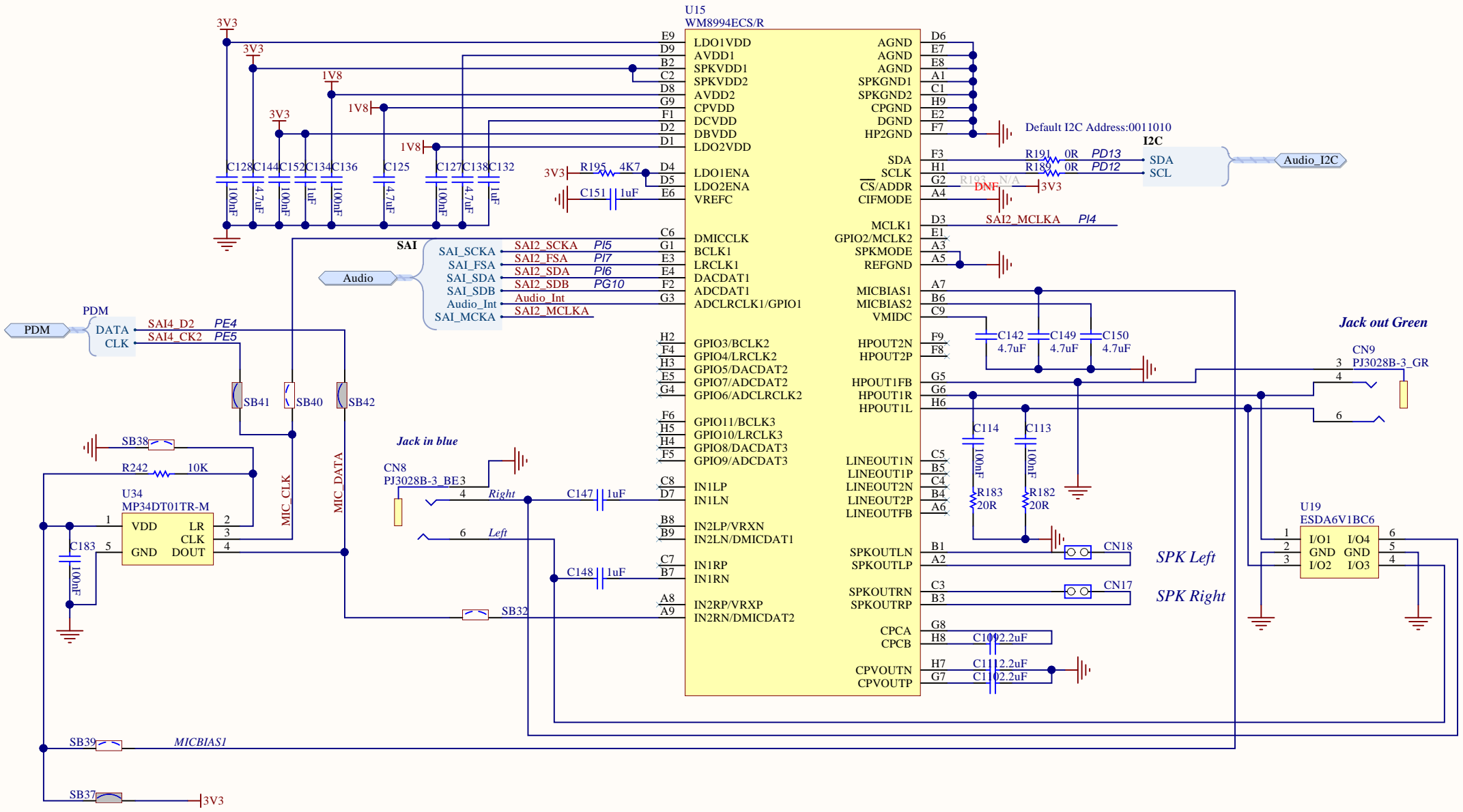
Twin Quad SPI Flash solutions:

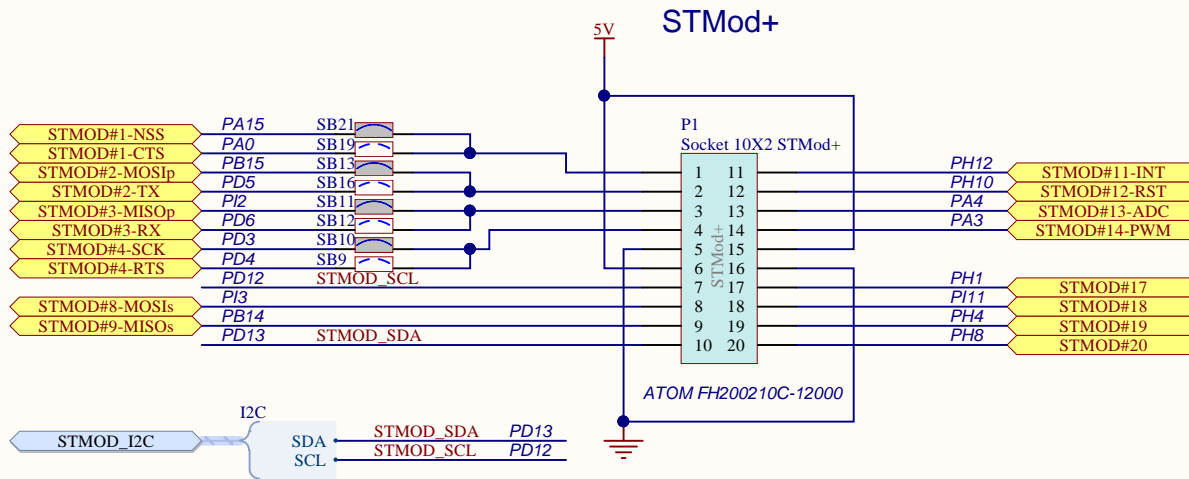
| | | | | |
|-------------------------|--------------------------|--------------------------|---------------------------------|----------------------------------|
| One Twin Quad SPI Flash | U2:MT25TL01GHBB8ESF-0SIT | U1:NA | R53/R62/R54/R56/R60/SB8/SB48 ON | R14/R3/R2/R9/SB2/C15 OFF |
| Two Quad SPI Flash | U1:MT25QL512ABB8ESF-0SIT | U2:MT25QL512ABB8ESF-0SIT | R14/R3/R2/R9/SB2/C15 ON | R53/R62/R54/R56/R60/SB8/SB48 OFF |

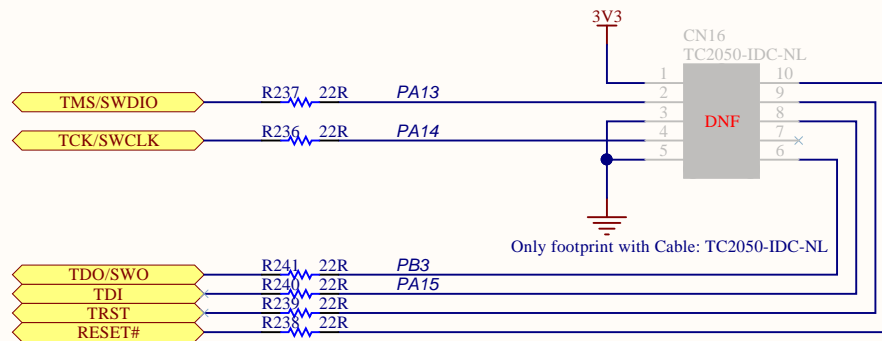


Default I2C Address : 01110000

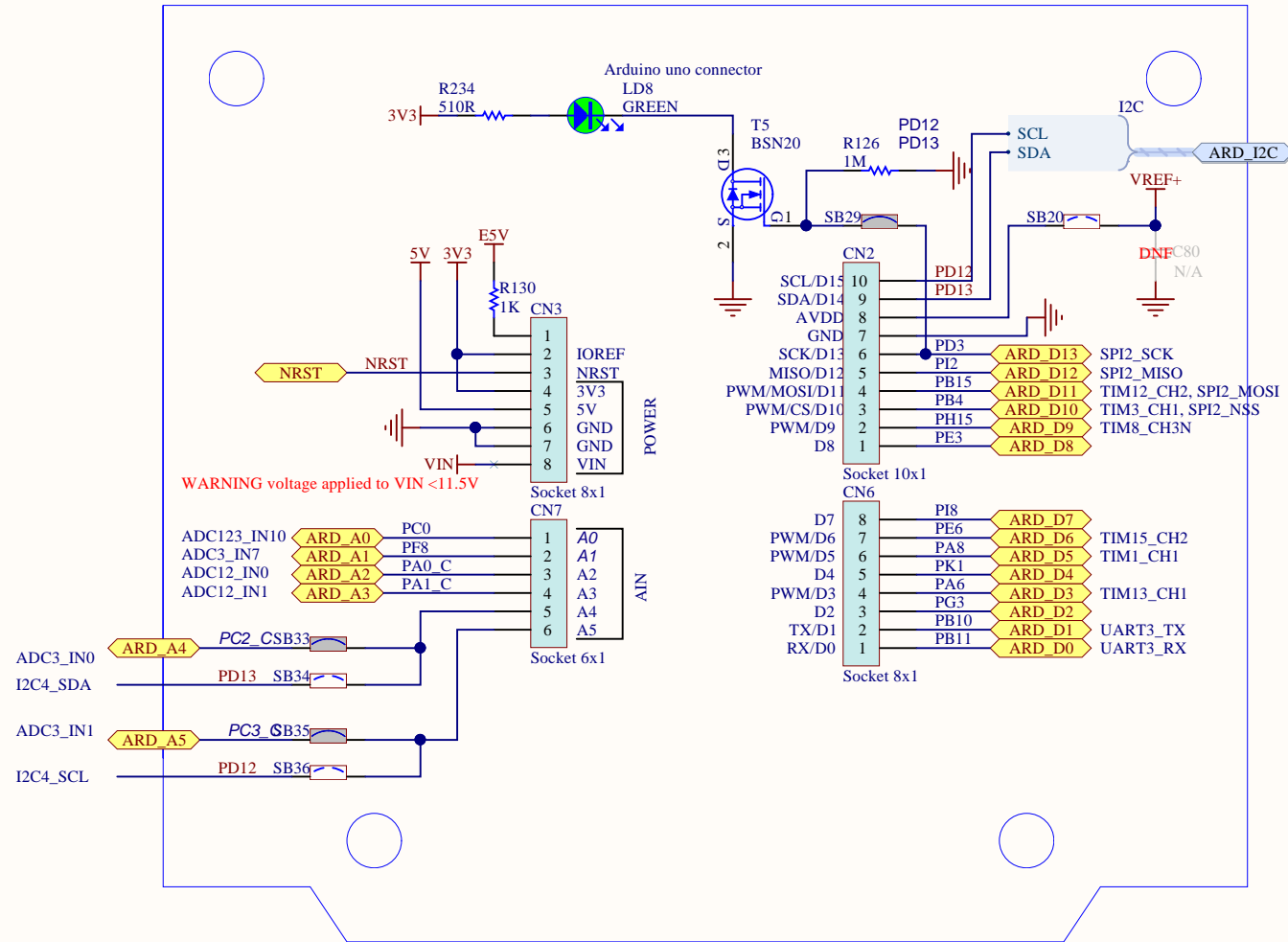
Backlight driver & PFC of LCD panel

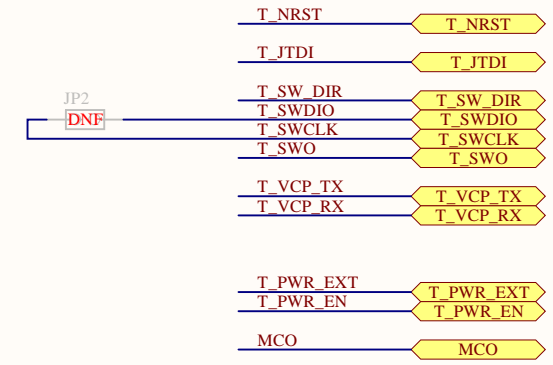
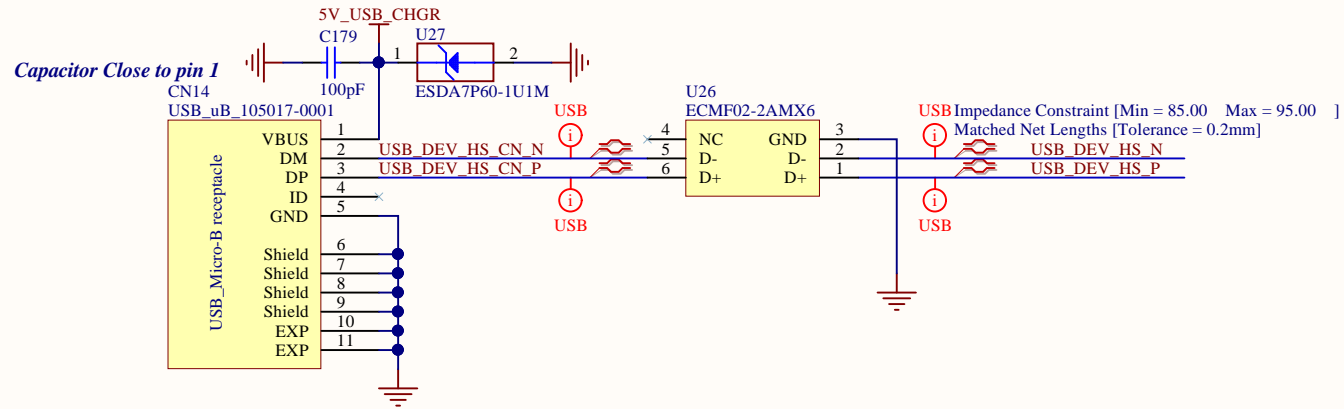




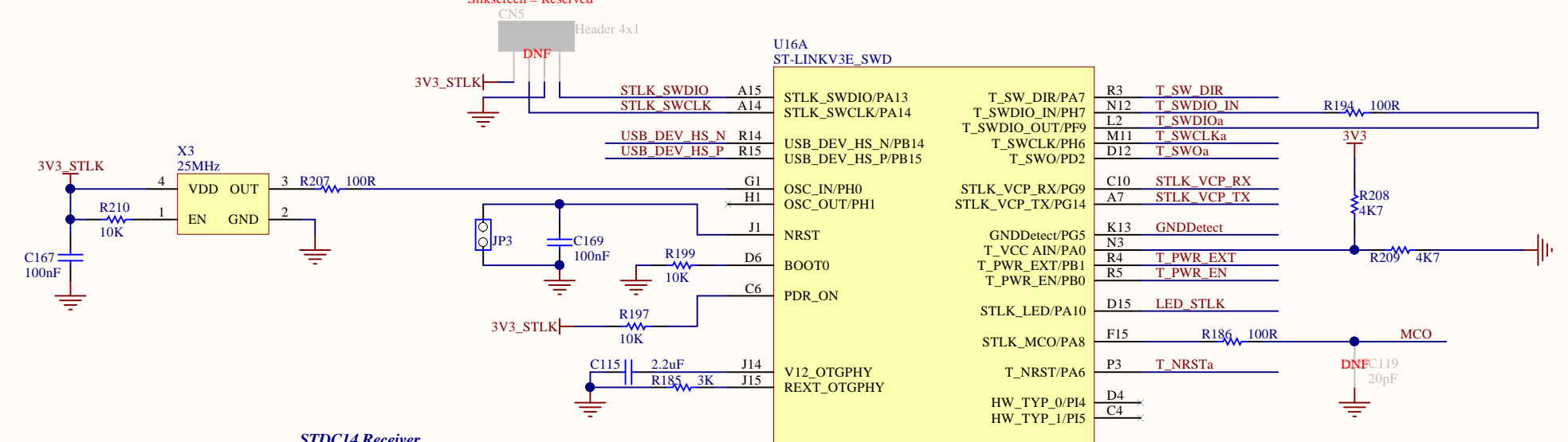


Place this connector close to STDC, they will share the same ESD components

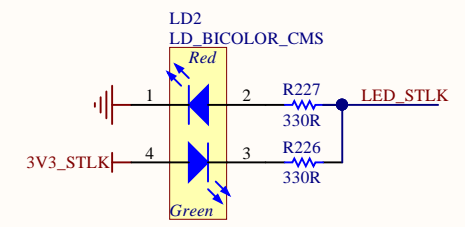
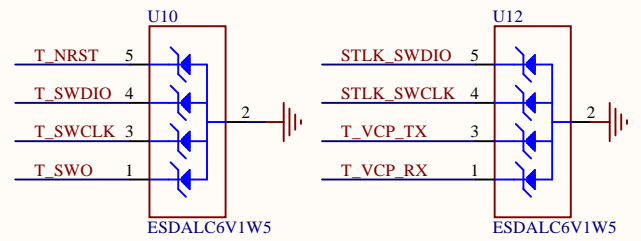
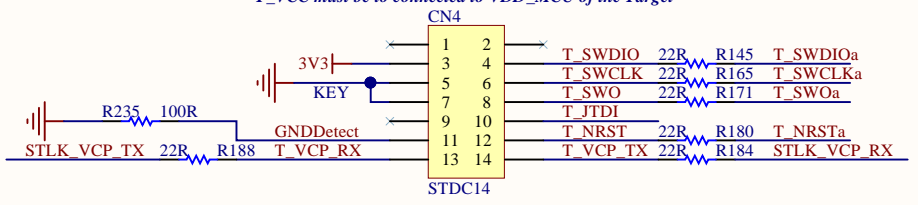


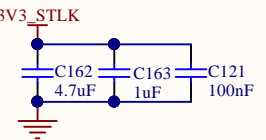
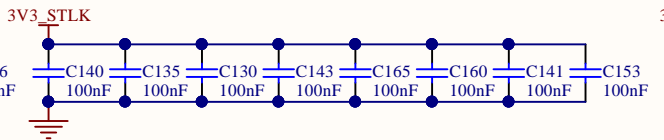
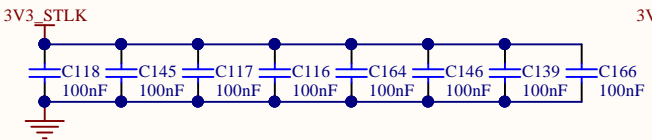
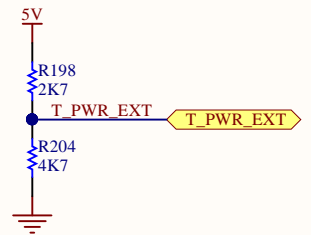
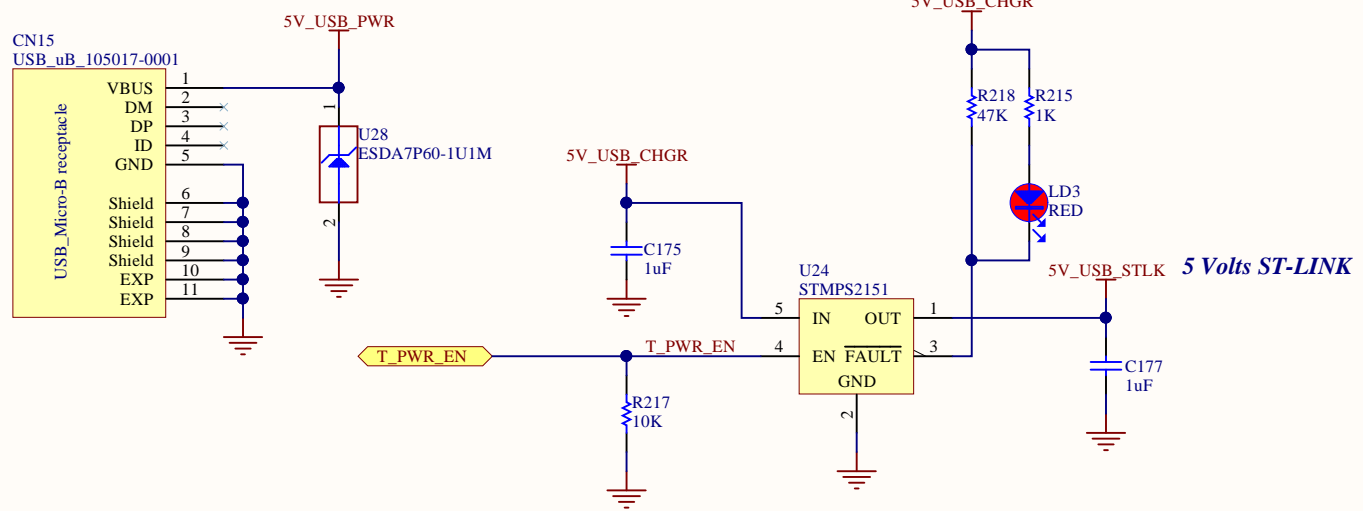
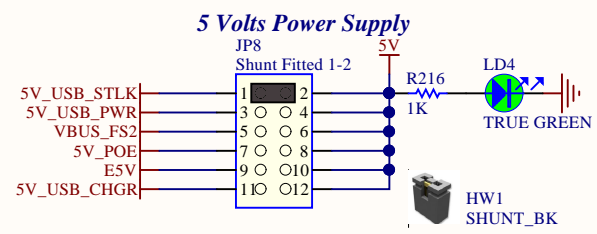
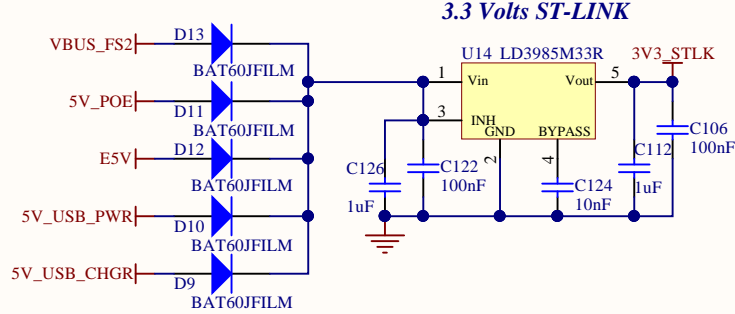
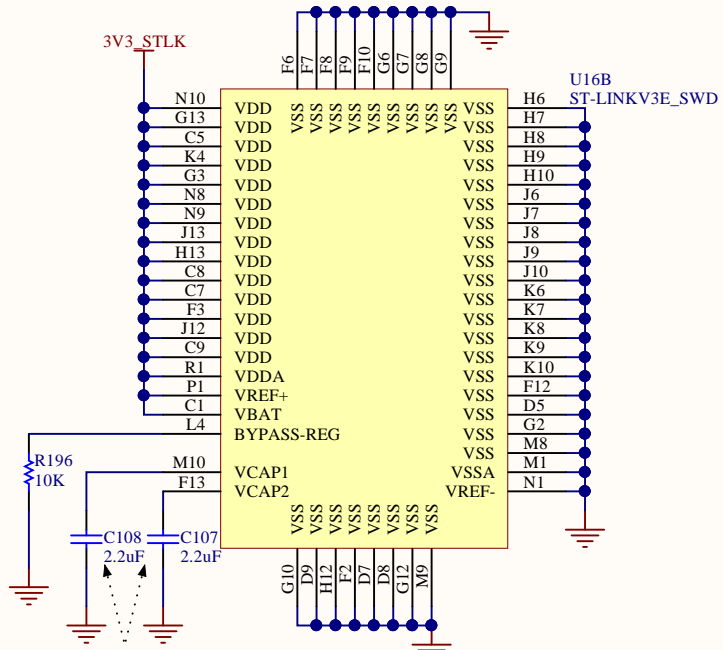


Must be on a border or the PCB.
Silkscreen = Reserved



STDC14 Receiver
T_VCC must be connected to VDD_MCU of the Target





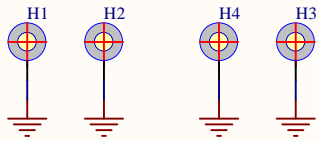
HW Mechanical parts

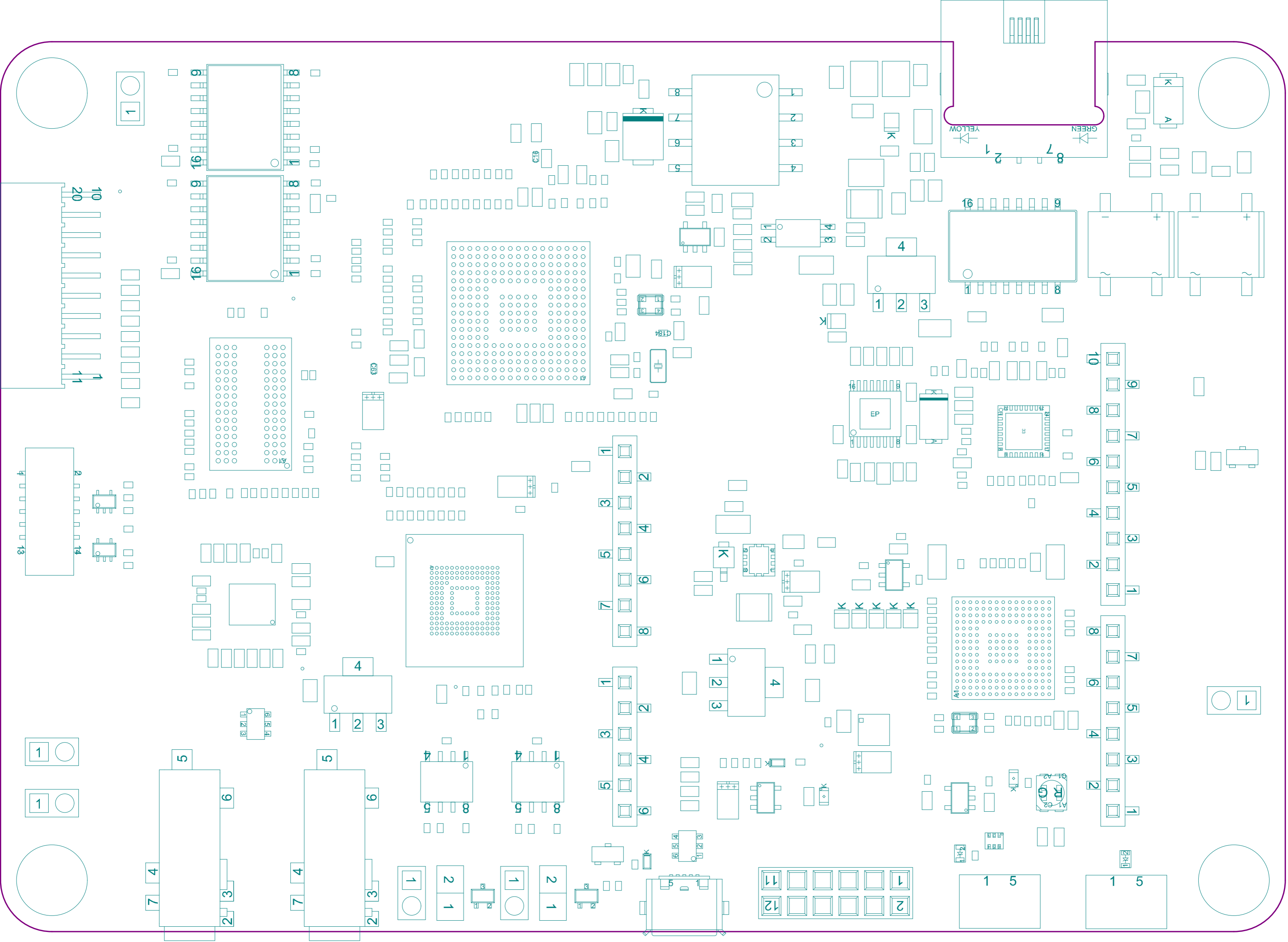
HW6
MB1381A
PCB

HW7
MB1381A-01 XXXX
BOARD REF

HW8
STM32H745I-Disco
BOARD CPN

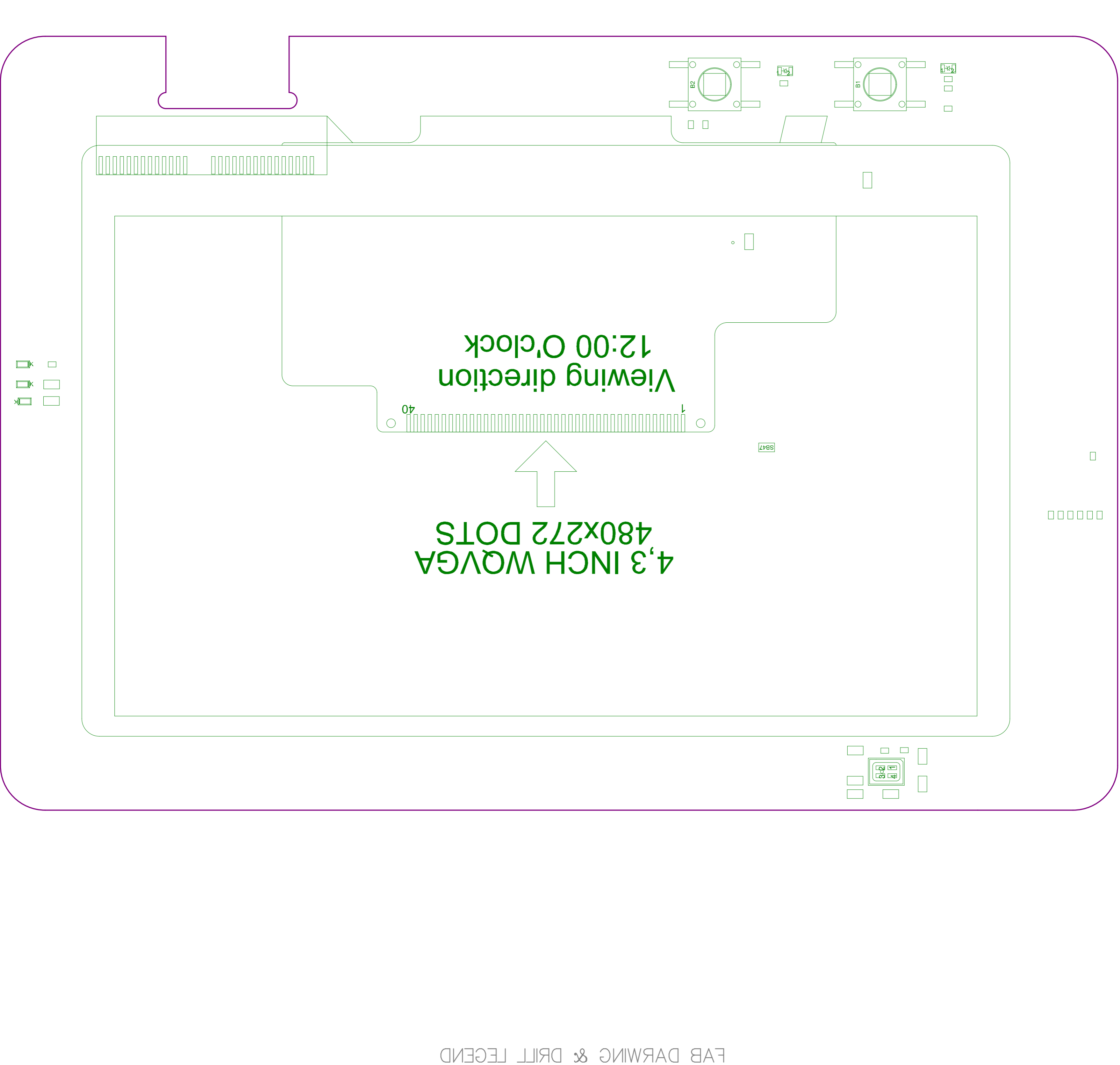
HW4 LOGO ST
HW5 LOGO CE
HW3 LOGO ESD
HW9 LOGO ROHS
HW10 LOGO STM32



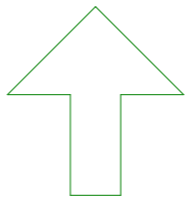


2

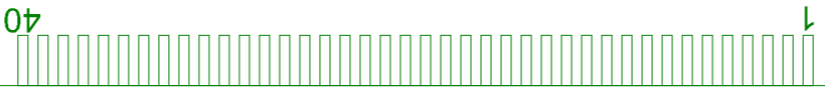
LAYER 2 (GND PLANE)



4,3 INCH WQVGA
480X272 DOTS



Viewing direction
12:00 O'clock



SB47

